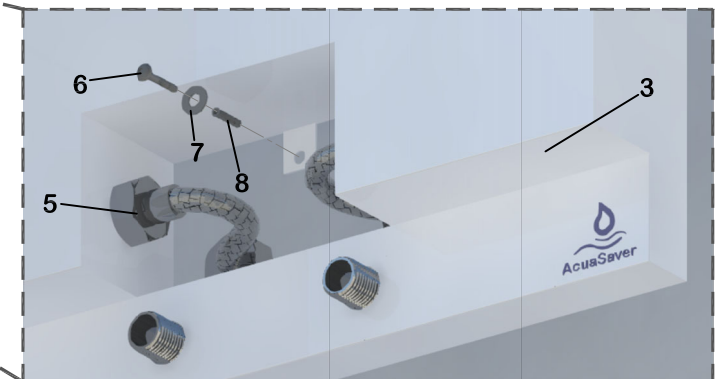
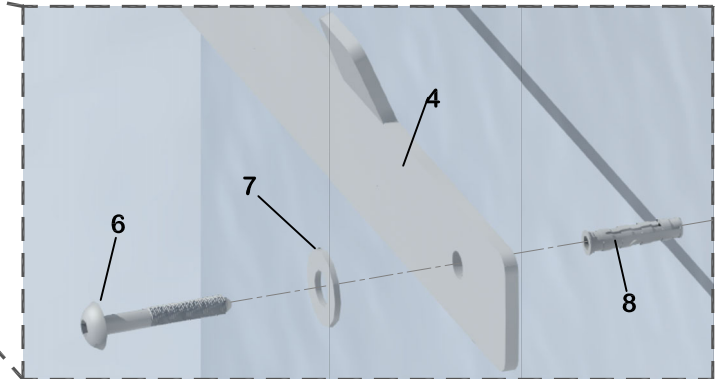
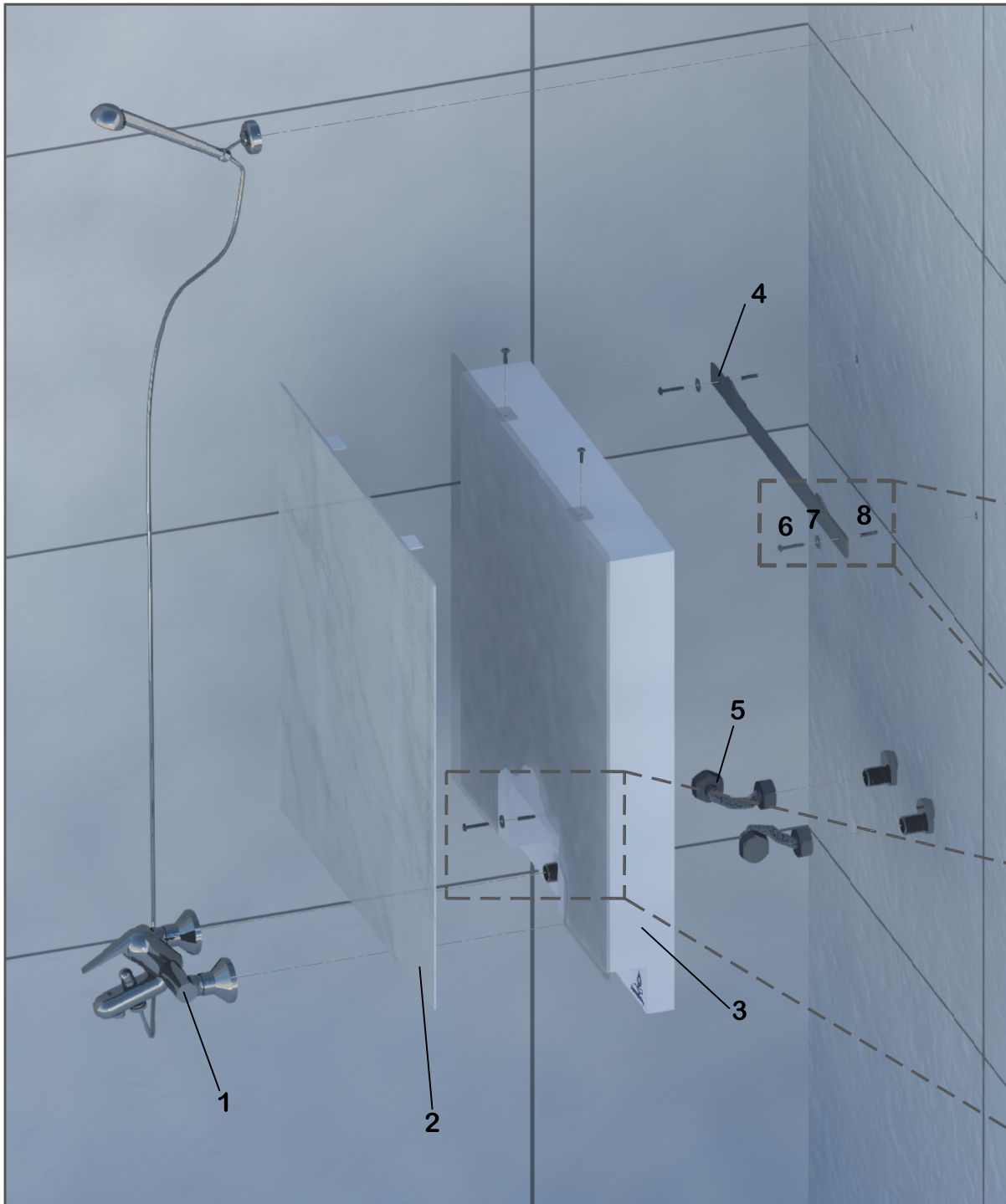


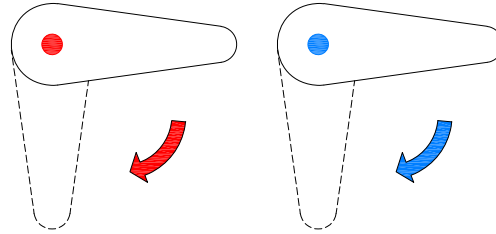


ACUASAVER INSTALLATION WITH SINGLE TAPS

1. SINGLE TAP
2. FRONT COVER
3. ACUASAVER SET
4. HANGING PLATE
5. FLEXIBLE METAL HOSES
6. SCREW
7. WASHER
8. WALL PLUG

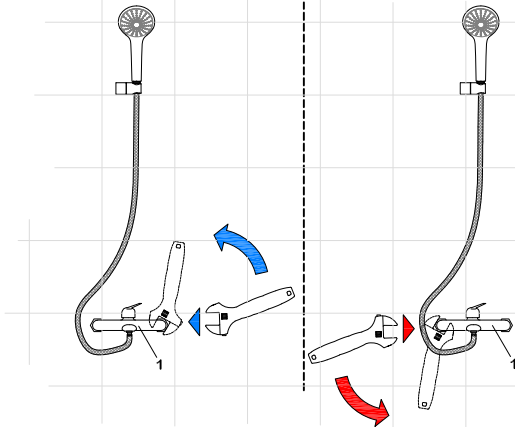
ALL MATERIALS, EXCEPT THE TAP, ARE INCLUDED.
FOR THE INSTALLATION OF ACUASAVER, IT IS NOT
NECESSARY TO APPLY TEFLON TO THE THREADS;
ALL CONNECTIONS ARE MADE WITH PRESSURE
SEALING GASKETS.



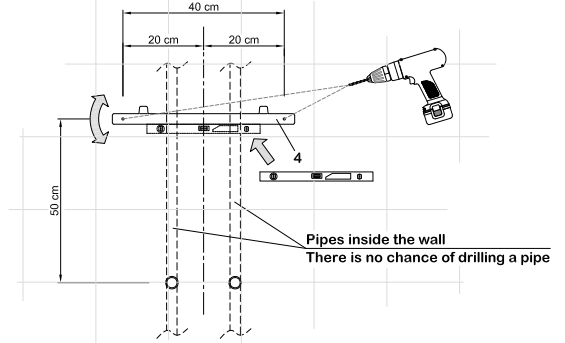


① IF POSSIBLE, TURN OFF THE HOT AND COLD WATER SUPPLY IN THE BATHROOM, IF NOT POSSIBLE TURN OFF THE GENERAL WATER SUPPLY TO THE HOUSE.

② WHEN THE WATER SUPPLY IS TURNED OFF, REMOVE THE TAP (1) USING A WRENCH.

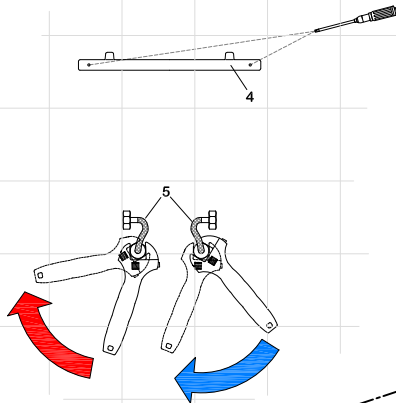


③ POSITION THE HANGING PLATE (4) AT 50 cm FROM THE WATER INTAKE. IT WILL BE POSITIONED HORIZONTALLY WITH A LEVEL TOOL. MARK THE POSITION OF THE HOLES AND DRILL THEM. THERE IS NO CHANCE OF DRILLING A PIPE.

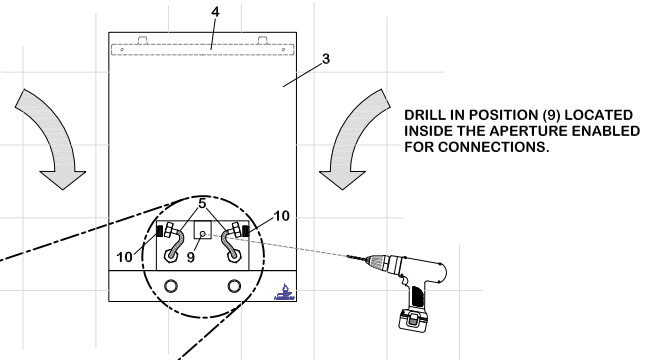


AS A GENERAL RULE PIPES ARE INSTALLED PERPENDICULAR TO BETTER DETERMINE THEIR LOCATION.

④ SCREW ON THE ACUASAVER HANGING PLATE (4). THE HOSES (5) PROVIDED BY ACUASAVER WILL BE INSTALLED IN THE WATER INTAKES.

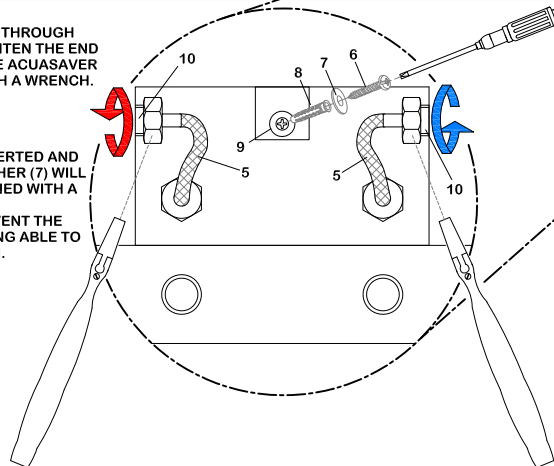


⑤ HANG THE ACUASAVER SET (3) BY FITTING THE HANGERS OF THE HANGING PLATE (4) IN THE PLACE THAT ACUASAVER SET (3) HAS ENABLED FOR THIS PURPOSE. SUBSEQUENTLY, FIT THE HOSES (5) INSTALLED IN THE PREVIOUS STEP, INTO THE OPENING ENABLED FOR CONNECTIONS.



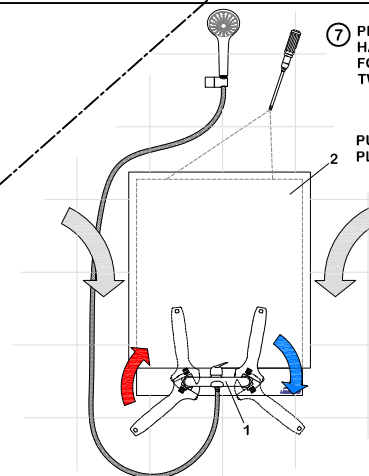
⑥ THREAD THE HOSES (5) THROUGH THE OPENING AND TIGHTEN THE END OF THE HOSE (5) TO THE ACUASAVER CONNECTIONS (10) WITH A WRENCH.

A PLUG (8) WILL BE INSERTED AND SCREW (6) WITH A WASHER (7) WILL BE PLACED AND TIGHTENED WITH A SCREWDRIVER. THIS SCREW WILL PREVENT THE ACUASAVER FROM BEING ABLE TO MOVE AND COME DOWN.



⑦ PLACE THE ACUASAVER FRONT COVER (2) BY HANGING IT OVER THE SUPPORTS ADAPTED FOR THIS PURPOSE. FINALLY TIGHTEN THE TWO SET SCREWS.

PUT THE TAP (1) BACK IN THE DESIGNATED PLACE IN THE ACUASAVER SET (3).



⑧ FINALLY, RESTORE THE WATER SUPPLY TO THE HOUSE AND START USING ACUASAVER SAVING WATER IN DAILY SHOWERS.

